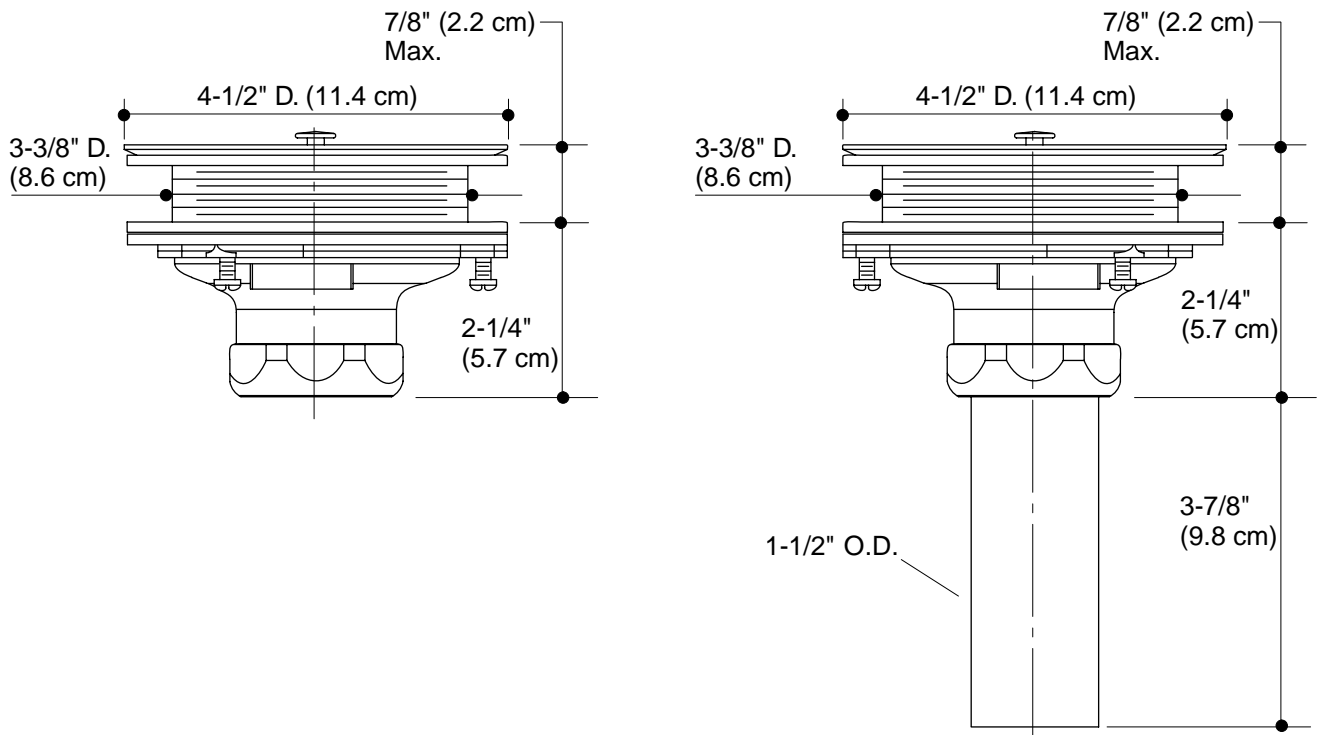


# DUOSTRAINER®

## Installation Notes

Install this product in accordance with the installation instructions.



## Product Diagram