

## Product Information

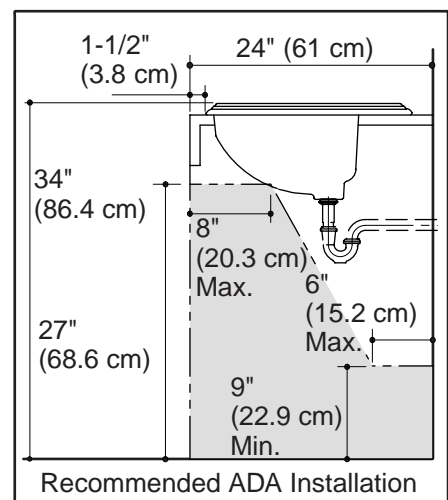
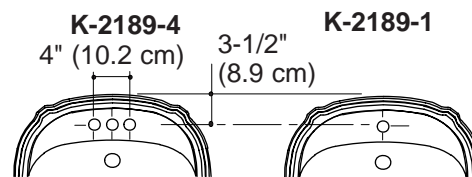
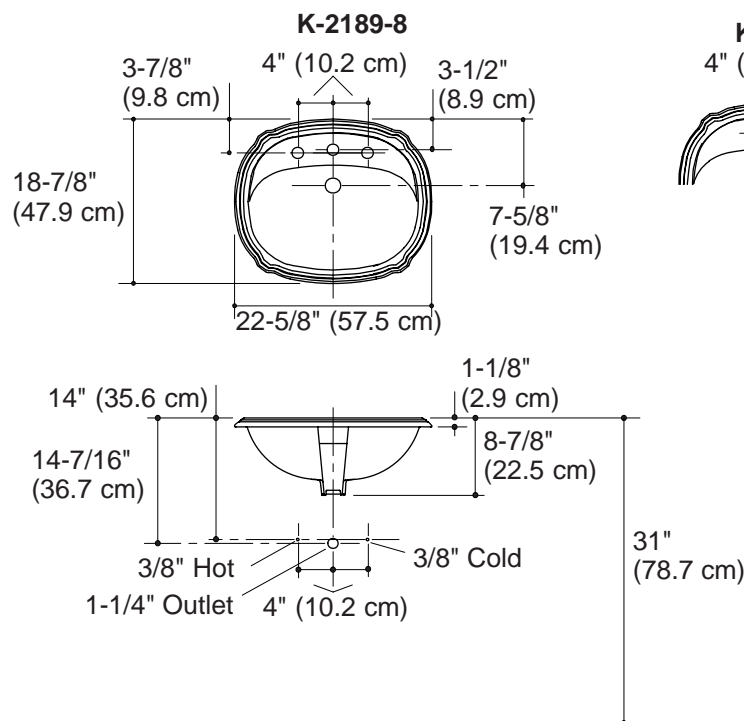
ADA compliant			
Mexico products have an <b>M</b> after the first sequence of numbers (such as K-12345 <b>M</b> )			
8" (20.3 cm) centers	K-2189-8	shown	
4" (10.2 cm) centers	K-2189-4	not shown	
Single-hole	K-2189-1	not shown	
Fixture*:		basin area	water depth
Lavatory		20" (50.8 cm) x 12" (30.5 cm)	5" (12.7 cm)
Outlet	1-3/4" D. (4.4 cm)		
* Approximate measurements for comparison only.			
Holes	<b>K-2189-4</b>	<b>K-2189-8</b>	<b>K-2189-1</b>
Spout	1-1/4" D. (3.2 cm)	1-3/8" D. (3.5 cm)	1-3/8" D. (3.5 cm)
Faucet	1-1/4" D. (3.2 cm)	1-3/8" D. (3.5 cm)	
Included Components:			
Cutout template	1004223-7		

## Installation Notes

Install this product according to the installation guide.

**NOTICE:** Countertop manufacturer or cutter **must** use the cutout template provided with the product, or a current one provided by Kohler Co. (call 1-800-4-KOHLER). Kohler Co. is not responsible for cutout errors when the incorrect cutout template is used.

Fixture dimensions are nominal and conform to tolerances in ASME Standard A112.19.2.



Standard Installation